

Alfa Romeo
TZ3 Corsa
BODY SHELL
Official Licensed Product
NO.48296

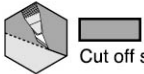
killerbody™

1/10 RC PLANNING INSTRUCTION SHEET

This body can be used with 1/10 electric touring car chassis (Long Wheelbase: 257mm Width: 195mm)

Before beginning assembly, please read these instructions thoroughly!

● Symbols used throughout the instruction manual, comprise:



Cut off shaded portion.



5mm
Drill holes with the specified diameter.



Pay close attention here!



Must be purchased separately.



Assemble left and right sides the same way.



● **Before Assembly**

Decoration Body

- ▶ In the case of a decoration body, please assemble it according to the contents showed.

When making the window transparent:

- ▶ If you want to make the window transparent with a non decoration body, please assemble it according to the contents showed.

Non Decoration Body

- ▶ In the case of non decoration body, please assemble it according to the contents showed.

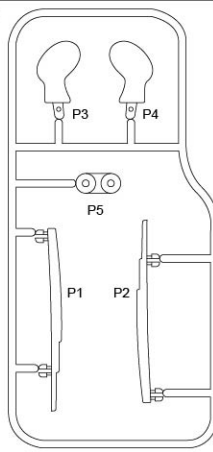
When loading LED lights

- ▶ If you want to load LED lights with a non decoration body, please assemble it according to the contents showed.

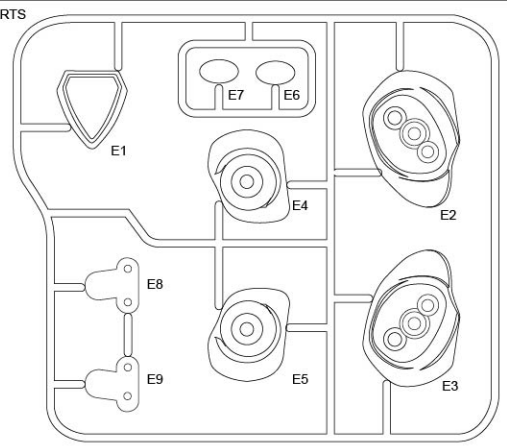
PARTS

BODY	-----	X1
PLASTIC PARTS	-----	X1
ELECTROPLATED PARTS	-----	X1
DECAL SHEET	-----	X1
WINDOW MASKS	-----	X1
PARTS BAG		
LED STOPPER	-----	X8
Clip	-----	X2
O-Ring	-----	X2
TAPPING SCREW	-----	X14
DOUBLE-SIDED TAPE	-----	X1
ALUMINUM TAPE	-----	X1

PLASTIC PARTS



ELECTROPLATED PARTS

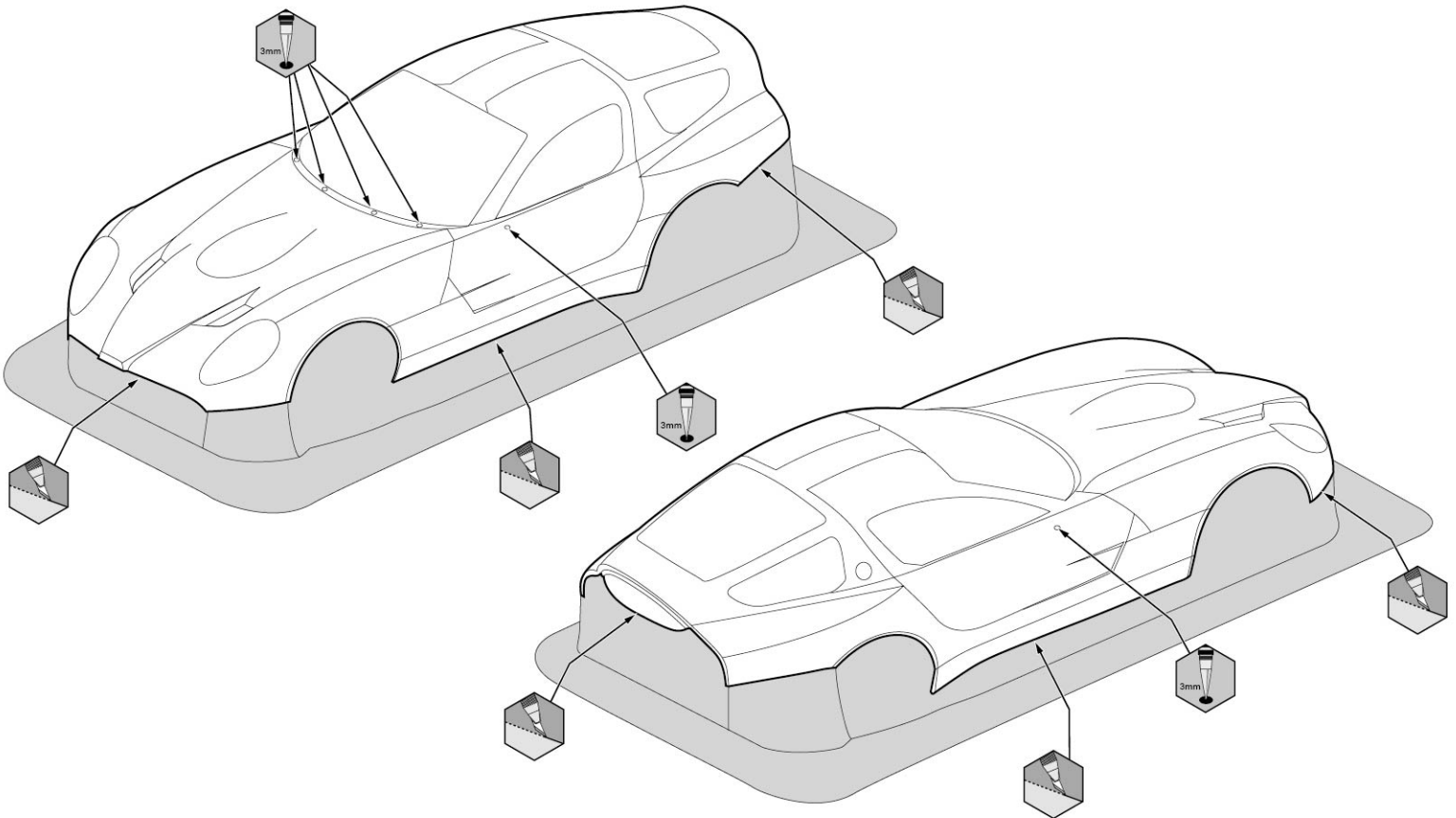


1 Body Shell

When making the window transparent:

Non Decoration Body

When loading LED lights

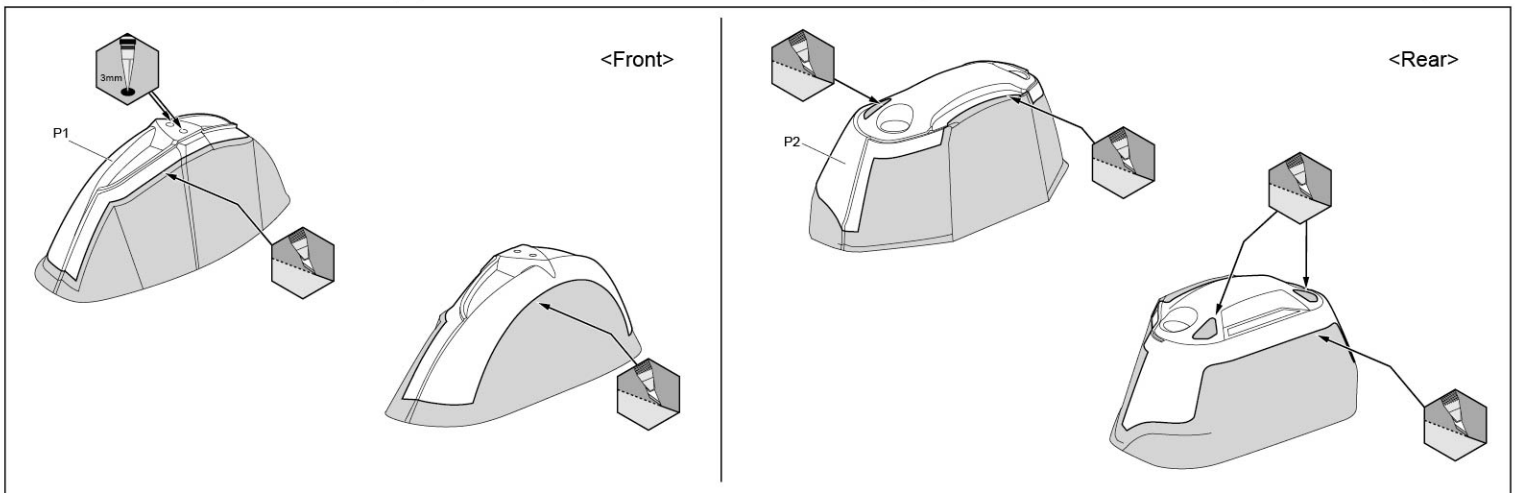


2 Cutting

When making the window transparent:

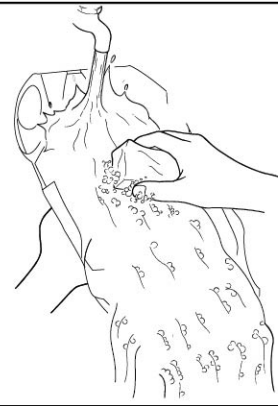
Non Decoration Body

When loading LED lights



3 Painting

Non Decoration Body
When loading LED lights



1 Before painting, use a neutral detergent to remove any oil residues and dirt.

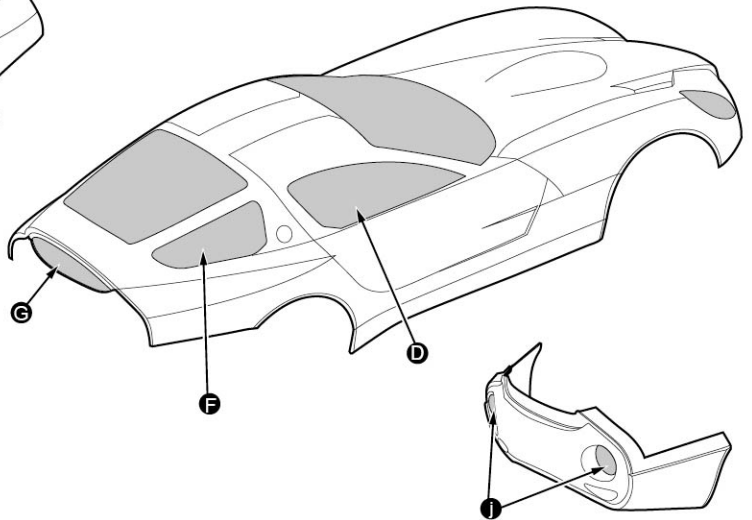
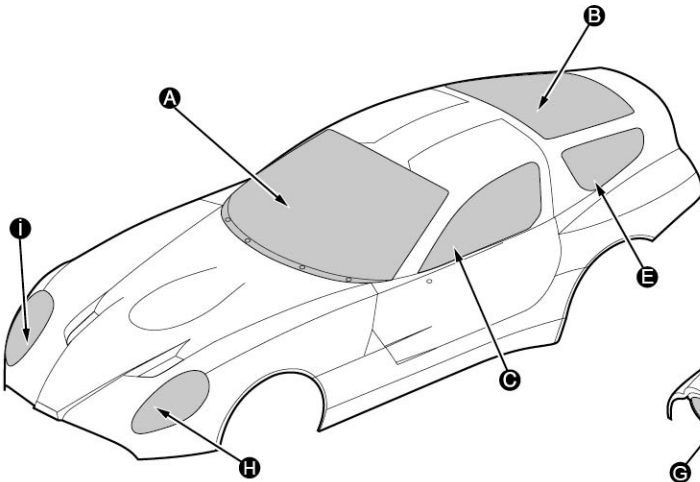
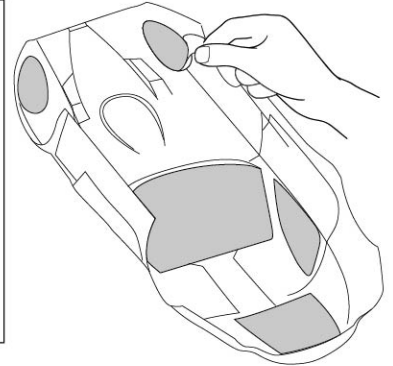
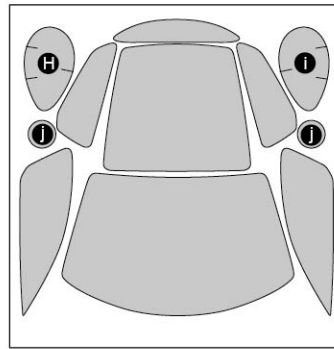
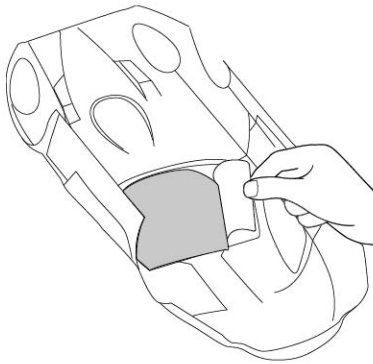
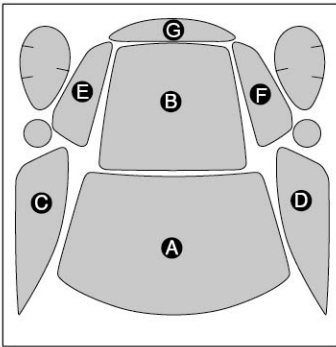
When making the window transparent:

When making the window transparent:

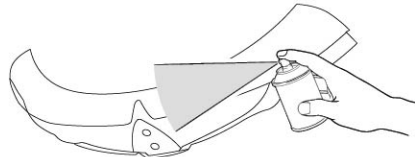
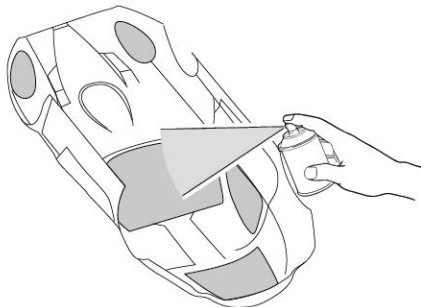
When loading LED lights

2 Mask the windows from the inside.

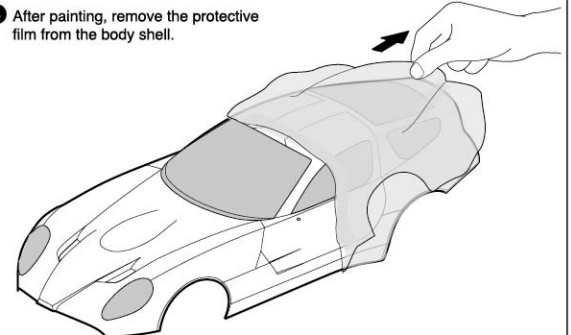
2 Mask the lights from the inside.



3 Paint the body shell from the inside.



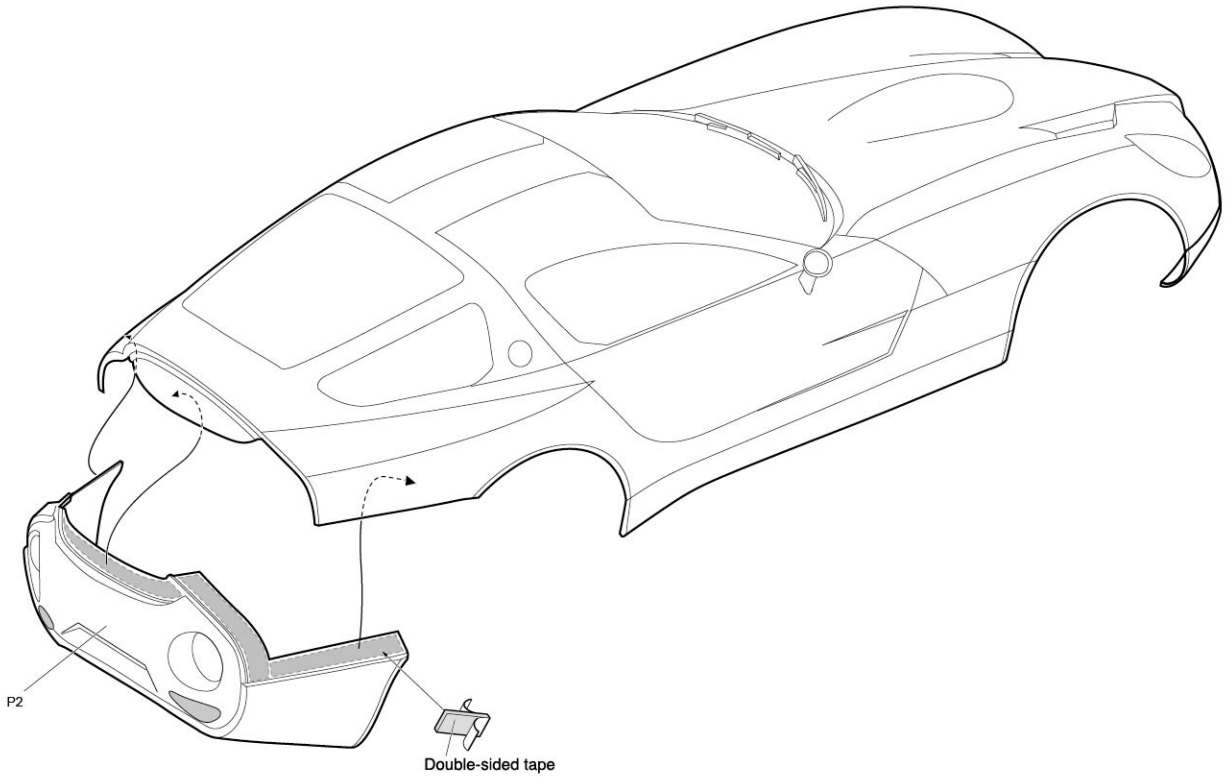
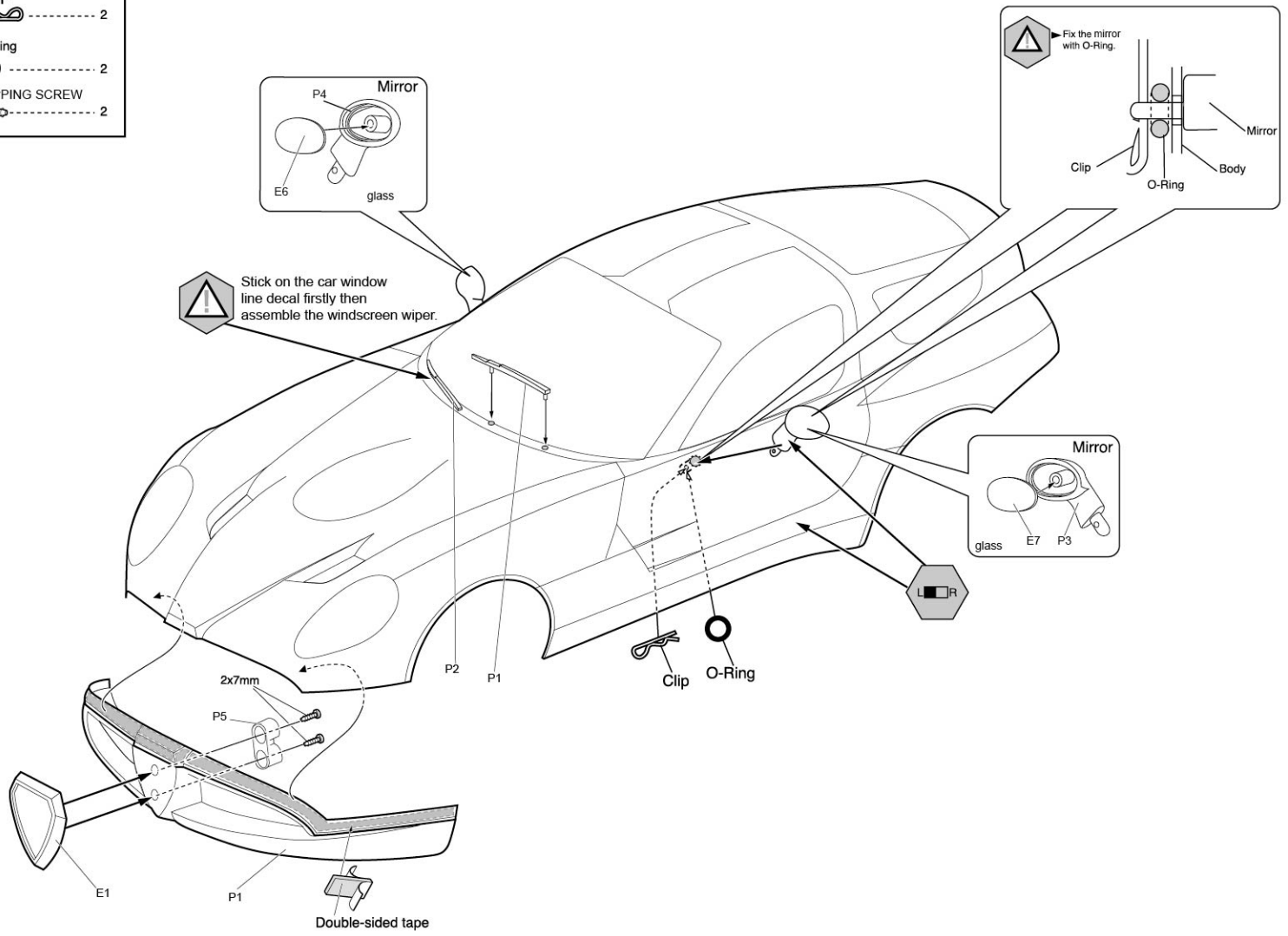
4 After painting, remove the protective film from the body shell.



4 Plastic Parts

Decoration Body	Non Decoration Body
When making the window transparent:	When loading LED lights

- Clip 2
- O-Ring 2
- TAPPING SCREW 2



5 Plastic Parts

When loading LED lights

LED STOPPER

..... 8

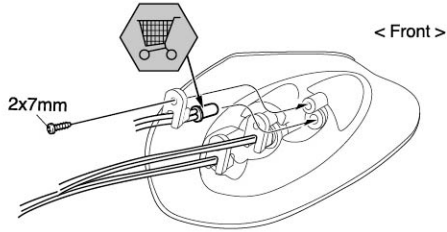
2 x 7mm F/H TP Screw

..... 12

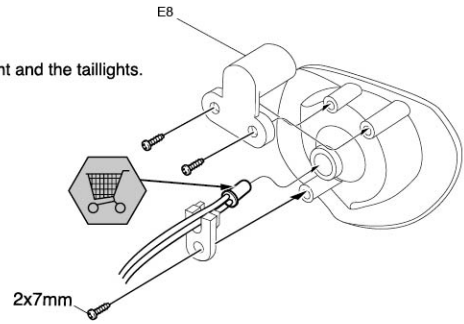


▶ Please tape the wiring, etc. on the body using the attached aluminum tape.

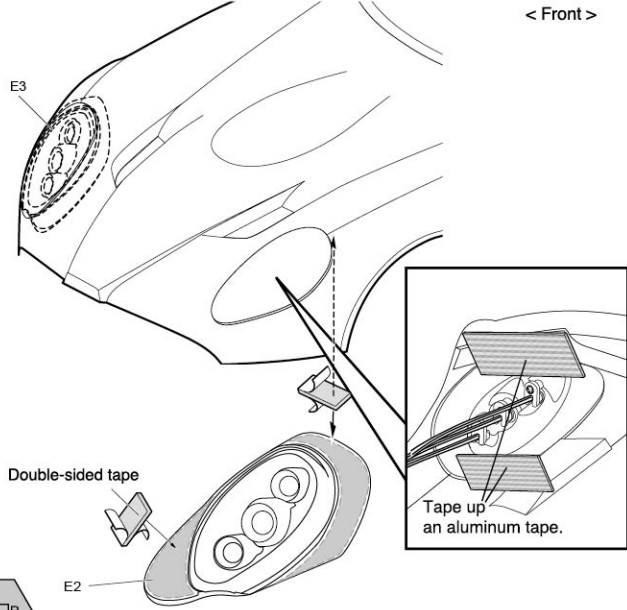
▶ Please put the attached aluminum tape on the top and bottom of the headlight and the taillights.



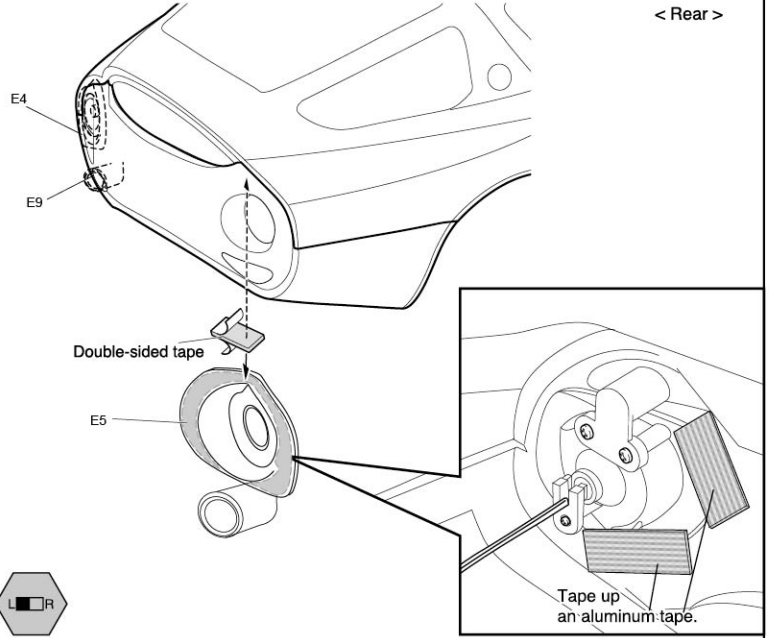
< Front >



< Rear >



< Front >



< Rear >

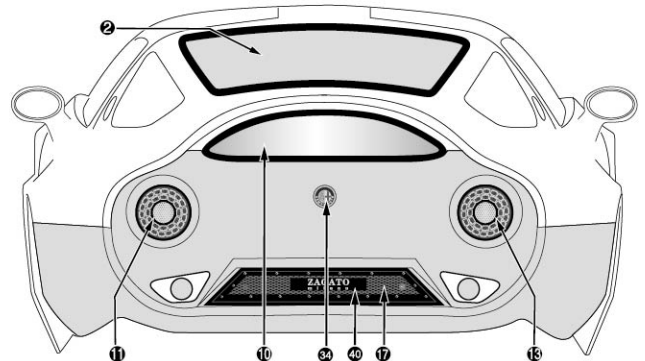
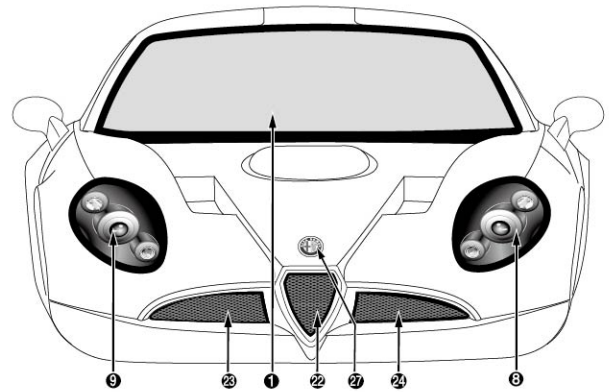
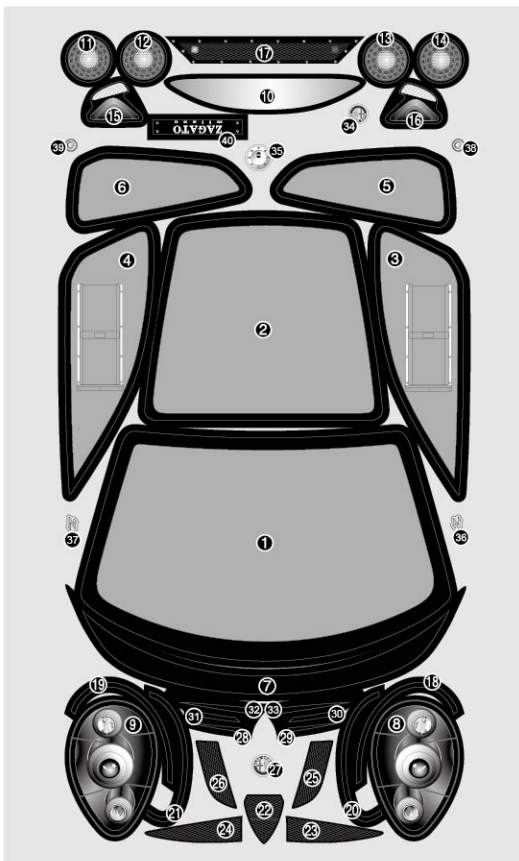
6 Decal

When making the window transparent

Non Decoration Body

When loading LED lights

▶ The decal numbers between brackets are only for the opposite side.



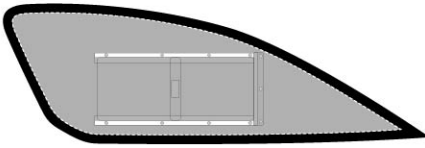
<Decal>

When making the window transparent



▶ 1 2 3 4 5 6

Cut the translucent (smoked color) part.



When reproducing the light by decal

▶ Change the decal according to the following contents.

8 → 18 20

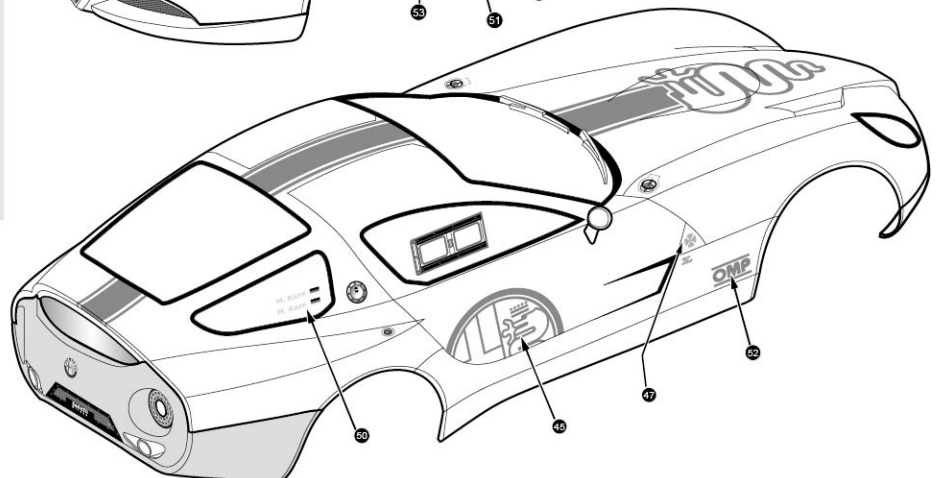
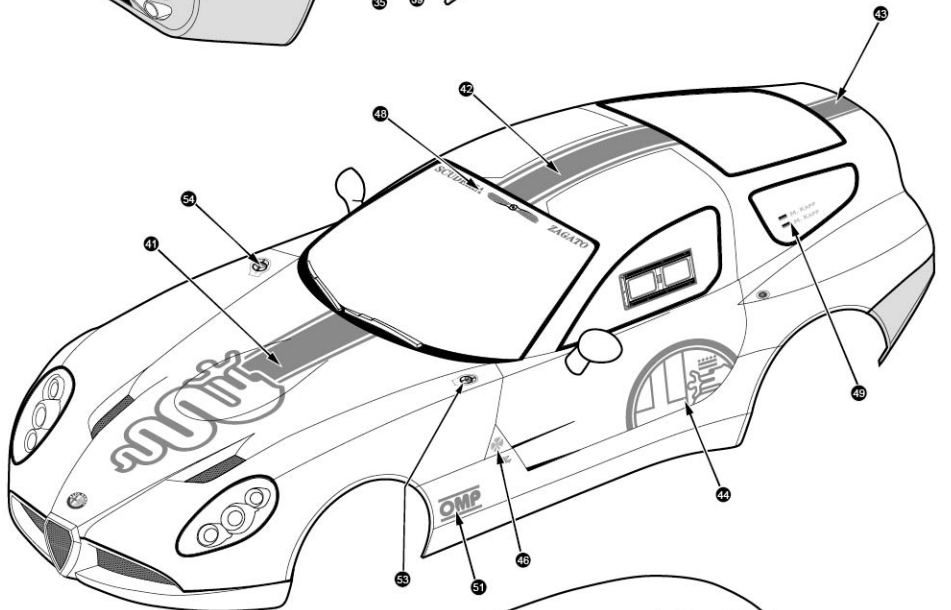
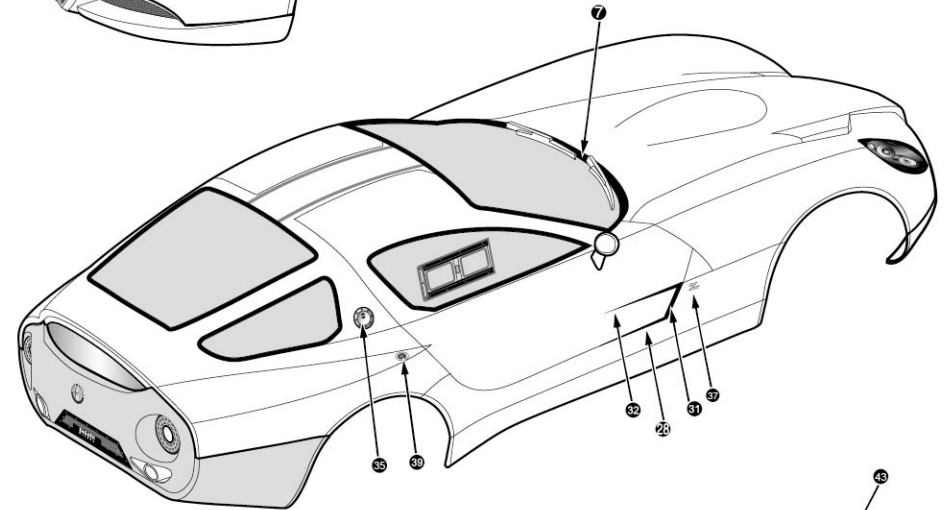
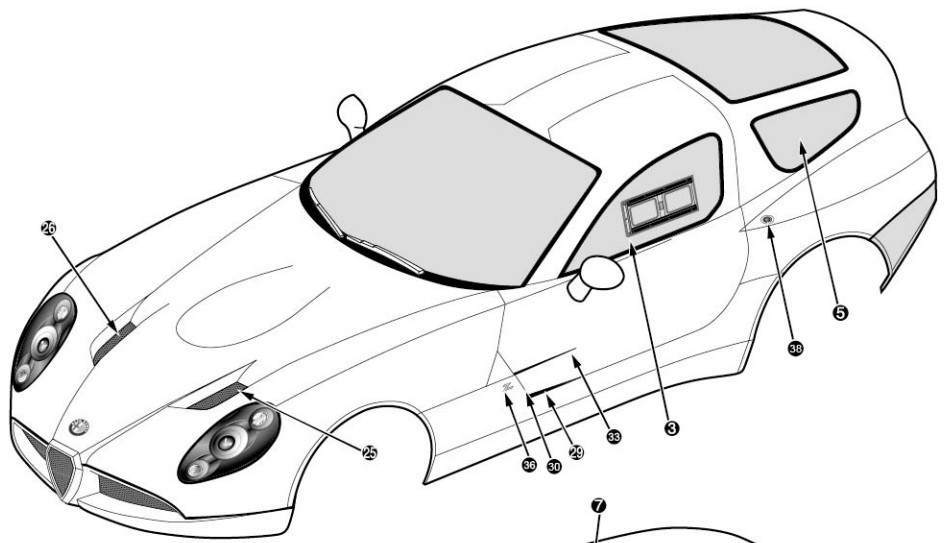
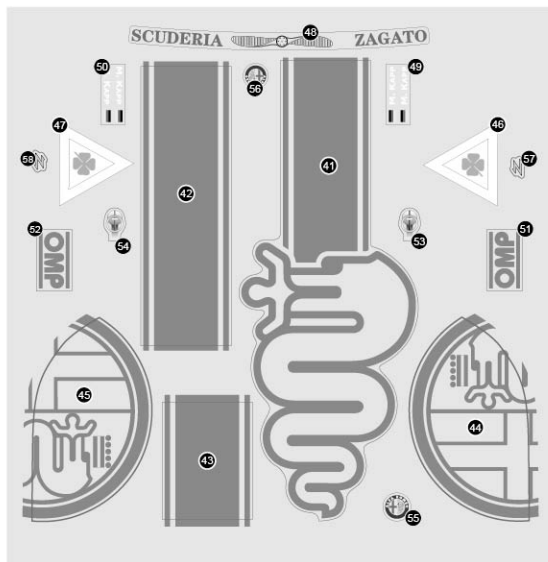
9 → 19 21

11 12 → 13 14



Decal for decoration

Must be purchased separately.



7 Body

Decoration Body

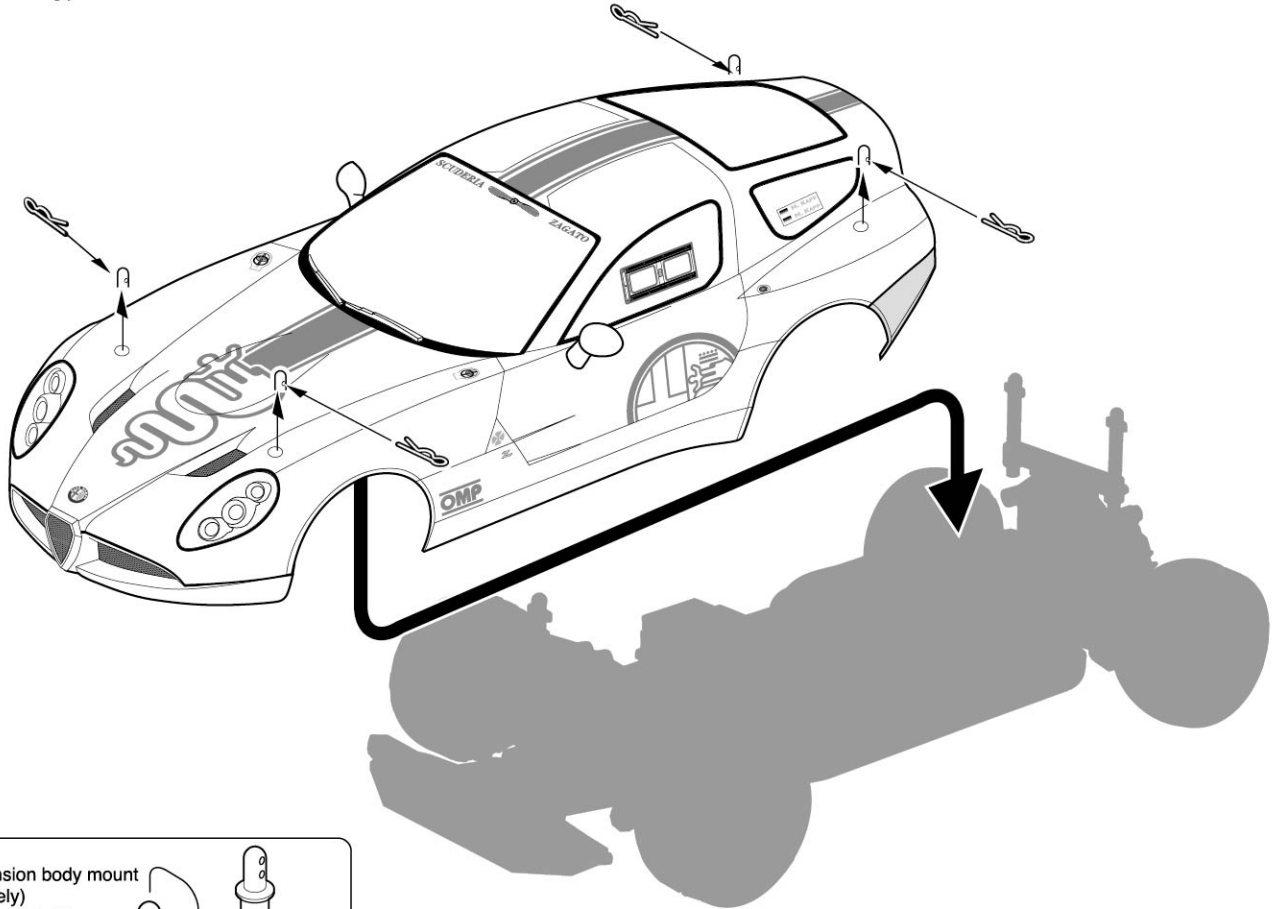
Non Decoration Body

When making the window transparent:

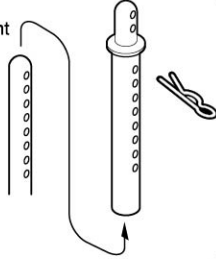
When loading LED lights



► For safety reasons, always fit the body shell when running your car.



► Use the extension body mount (sold separately) if the body mount height is not enough.



Option Parts & Accessory

No.	Part Names	No.	Part Names
48296	Alfa Romeo TZ3 Corsa Clear Body	48354BLK	Aluminum Alloy Wheel 1/10 Touring Car
48249	Alfa Romeo TZ3 Corsa Finished Body Red (Printed) Decorative sticker decaled Light buckets assembled	48354GLD	Aluminum Alloy Wheel 1/10 Touring Car
48297	Alfa Romeo TZ3 Corsa Body Shell Red (Printed) Trimmed & Decaled	48354SIGY	Aluminum Alloy Wheel 1/10 Touring Car
48298	Alfa Romeo TZ3 Corsa Body Shell Yellow (Printed) Trimmed & Decaled	48355	Caliper Brake Disc (CNC Aluminum) 2 Bigger & 2 Smaller 1/10 Touring Car
48299	Alfa Romeo TZ3 Corsa Finished Body Yellow (Printed) Light buckets assembled	48356	Caliper Brake Disc (CNC Aluminum) 2 Bigger & 2 Smaller 1/10 Touring Car
48300	Alfa Romeo TZ3 Corsa Body Shell Silver (Printed) Trimmed & Decaled	48276	Aluminum Alloy Intercooler w/Installation Parts 1/10 Touring Car
48301	Alfa Romeo TZ3 Corsa Finished Body Silver (Printed) Light buckets assembled	48366	Aluminum Alloy Intercooler w/Installation Parts 1/10 Touring Car
48302	Decal Sheet (Alfa Romeo TZ3 Corsa)	48232SL	Carbon Car Tail Silver 1/10 Touring Car
48303	Chromed Plastic Parts Set (Alfa Romeo TZ3 Corsa)	48232BK	Carbon Car Tail Black 1/10 Touring Car
48304	Chromed Light Bucket (Alfa Romeo TZ3 Corsa)	48263	Wheel 6mm offset 4Pcs./Pkg 1/10 Touring Car
48305	Molded Plastic Parts (Alfa Romeo TZ3 Corsa)	48264	Wheel 3mm offset 4Pcs./Pkg 1/10 Touring Car
48306BLK	Aluminum Alloy Wheel (Alfa Romeo TZ3 Corsa)	48265	Wheel 3mm offset 4Pcs./Pkg 1/10 Touring Car
48306SIL	Aluminum Alloy Wheel (Alfa Romeo TZ3 Corsa)	48364	Wheel 6mm offset 4Pcs./Pkg 1/10 Touring Car
48306SIGY	Aluminum Alloy Wheel (Alfa Romeo TZ3 Corsa)	48258	Drift Tire 4Pcs./Pkg 1/10 Touring Car
48357	Wing Mirror W/LED Unit Set 1/10 Touring Car	48259	Drift Tire 4Pcs./Pkg 1/10 Touring Car
48358	Wing Mirror W/LED Unit Set 1/10 Touring Car	48260	Drift Tire 4Pcs./Pkg 1/10 Touring Car
48359	Wing Mirror W/LED Unit Set 1/10 Touring Car	48281	Exhaust Pipe (Can be installed with LED) 1/10 Scale
48360	Wing Mirror W/LED Unit Set 1/10 Touring Car	48282	Exhaust Pipe (Can be installed with LED) 1/10 Scale
48352	Bodyshell Basic Plastic Parts 1/10 Touring Car	48283	Exhaust Pipe (Can be installed with LED) 1/10 Scale
48353	Moveable Headlight 1/10 Touring Car	48284	Exhaust Pipe (Can be installed with LED) 1/10 Scale

Option Parts & Accessory

No.	Part Names	No.	Part Names
48231	Moveable Fuel Door 1/10 Scale		
48351	Number Plate W/LED Unit Set 1/10 Scale		
48242	Dashboard (Right) 1/10 Scale		
48241	Dashboard (Left) 1/10 Scale		
48245	Navigator Set 1/10 Scale		
48235	Chromed Plastic Door Handle 1/10 Scale		
48236	Black Plastic Door Handle 1/10 Scale		
48350	Hooks & Rings Set (Diecast alloy) 1/10 Scale		
48361	Hooks & Rings Set (Diecast alloy) 1/10 Scale		
48274	Body Clip 1/10 Scale		
48273	Body Rope w/Clip Set (Metal) 120mm		
48362	Body Rope w/Clip Set (Metal) 100mm		
48363	Body Rope w/Clip Set (Metal) 80mm		
48365GD	Flange Locknut (Aluminum alloy) Gold		
48365BK	Flange Locknut (Aluminum alloy) Black		
48365RD	Flange Locknut (Aluminum alloy) Red		
48365SL	Flange Locknut (Aluminum alloy) Silver		
48365GY	Flange Locknut (Aluminum alloy) Grey		

WWW.KILLERBODYRC.COM